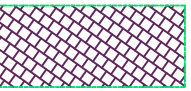



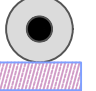



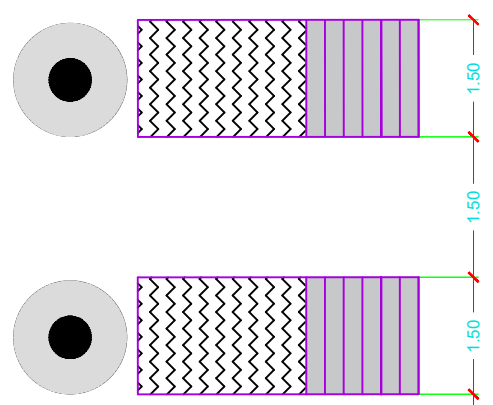
Camp 02 Layout

LEGEND	
	Caravan
	Male Toilet
	Female Toilet
	Proposed Fence
	Water Point
	Floodlight

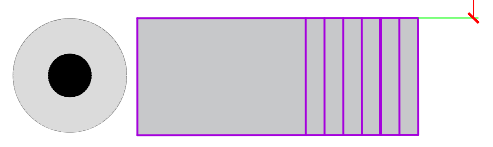


Camp-2 Overall Layout

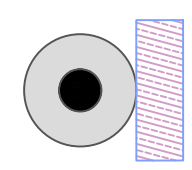
Male Toilets



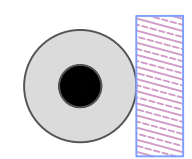
Female Toilet



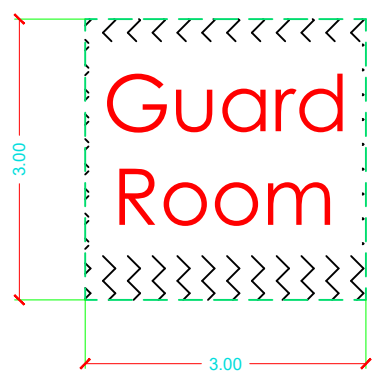
Water Point



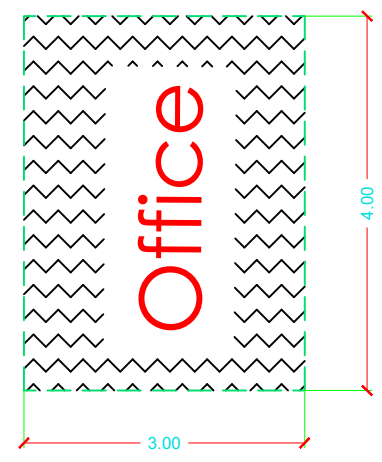
Water Point



Guard Room



Office



Floodlight Column

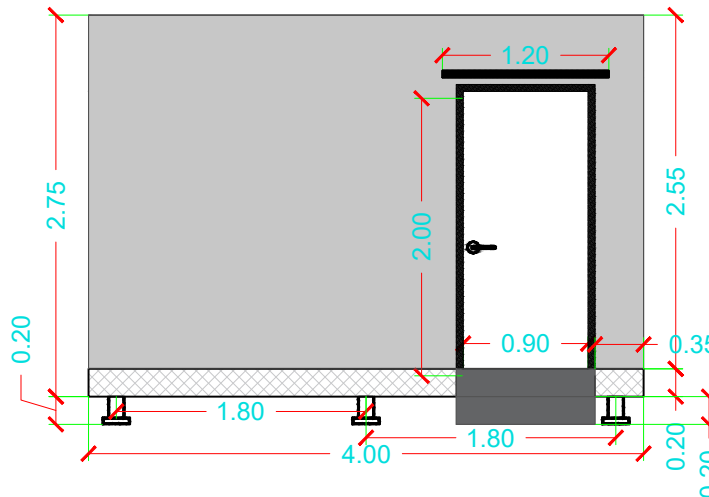
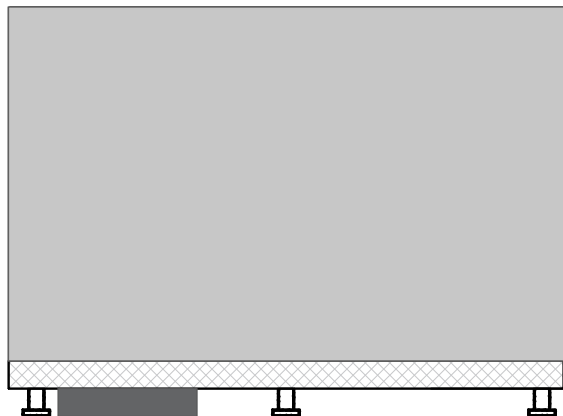


Scale:

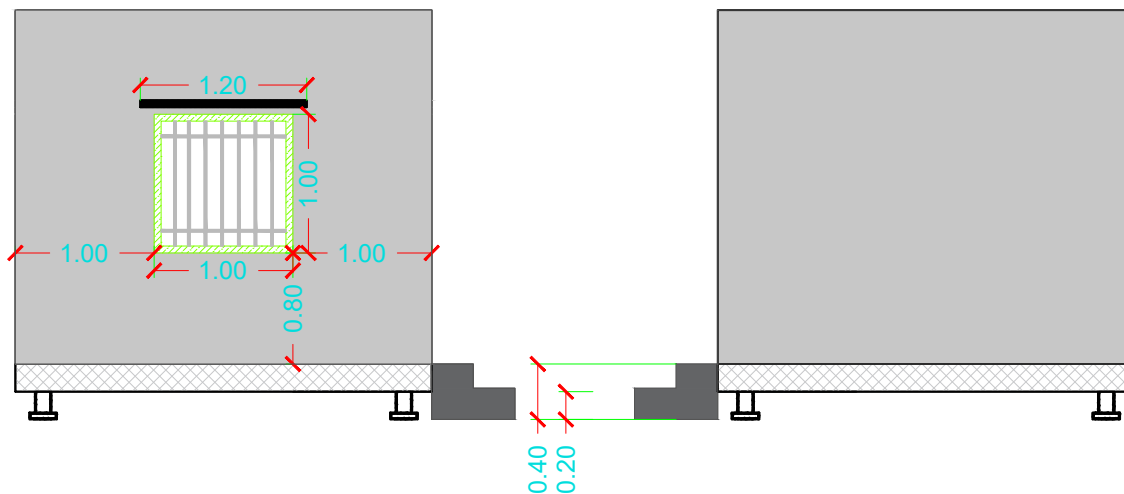
Unit: Meter

Date: 15-01-2023

Front & Rear Elevation



Side Elevation



Camp-2
Office Caravan

Legend

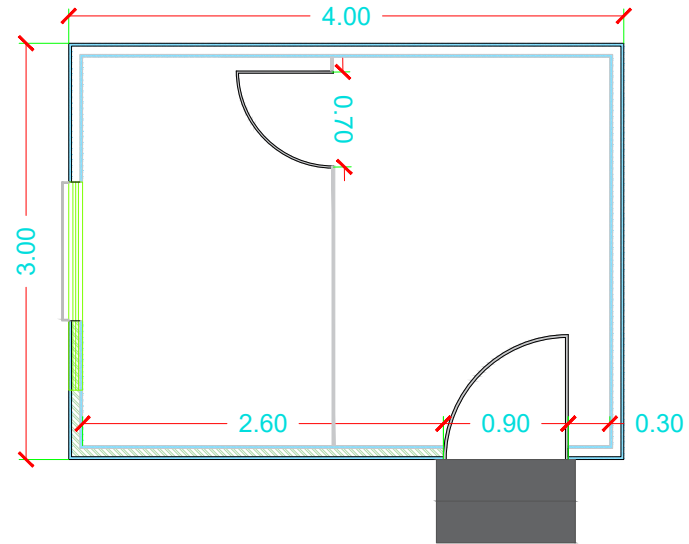


Scale:

Unit: Meter

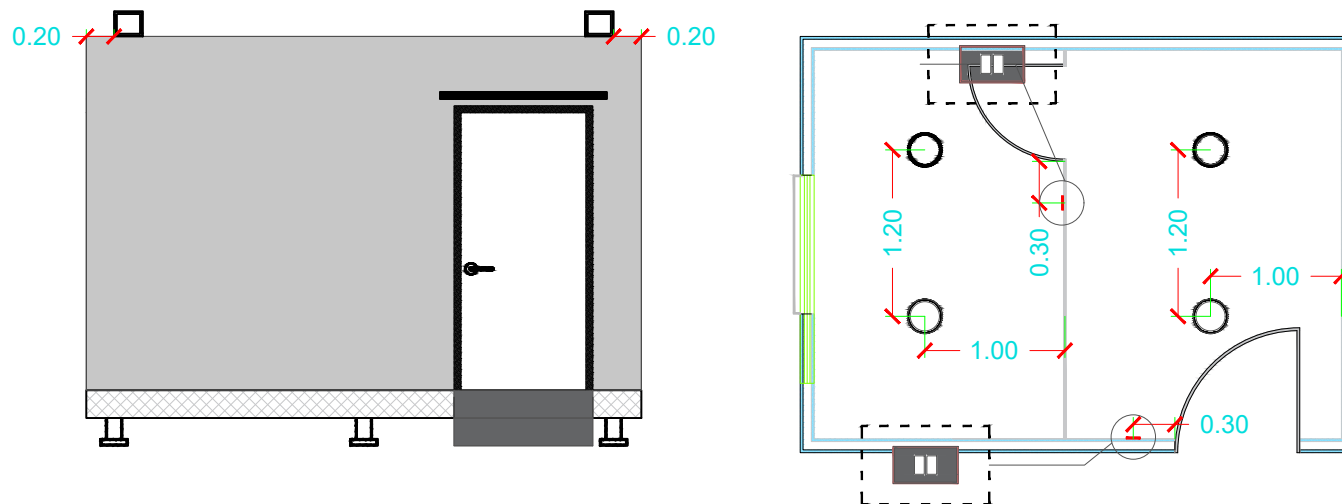
Date: 15-01-2023

Inside Layout



Camp-2
Office Caravan

Inside & Outside Electrical Layout

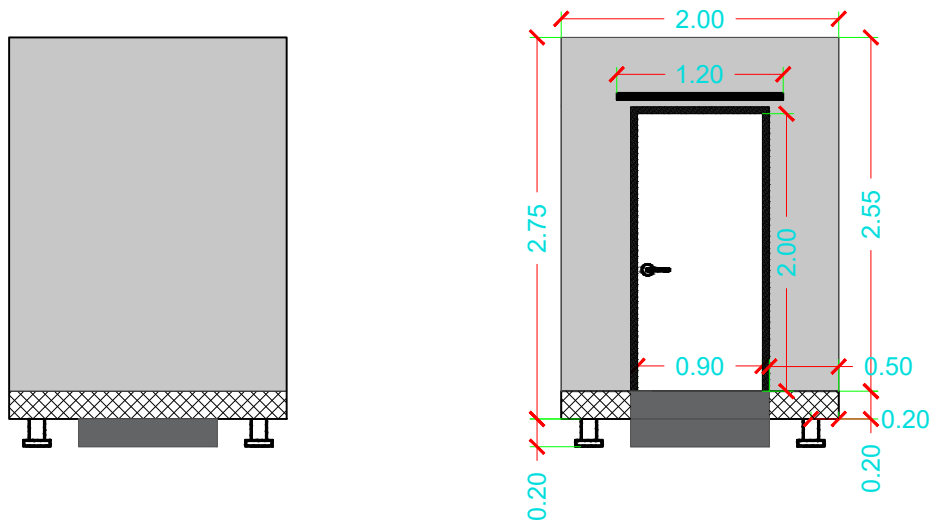


Scale:

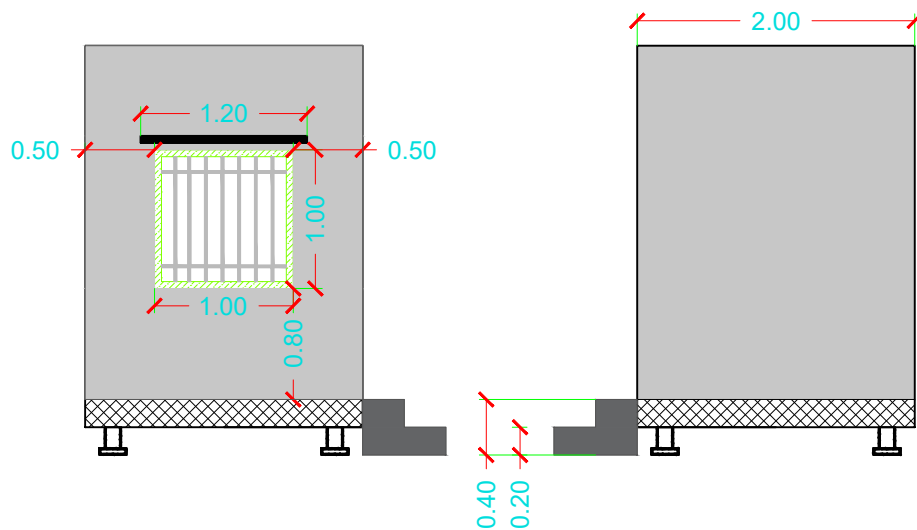
Unit: Meter

Date: 15-01-2023

Front & Rear Elevation



Side Elevation



Camp-2
Guard Caravan

Legend

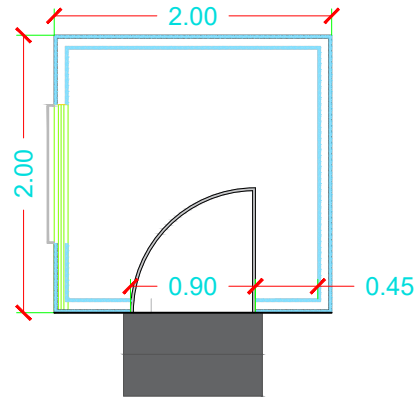


Scale:

Unit: Meter

Date: 15-01-2023

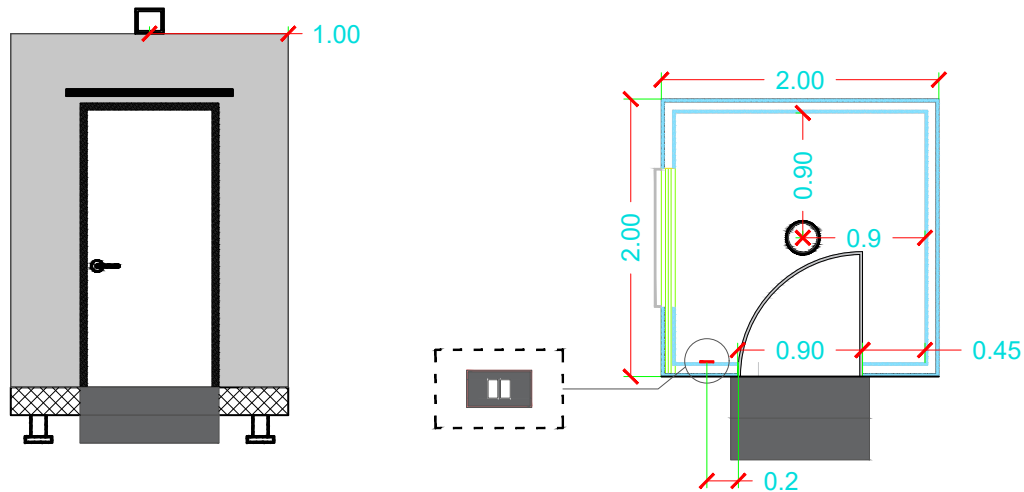
Inside Layout



Camp-2
Guard Caravan

Legend

Inside & Outside Electrical Layout

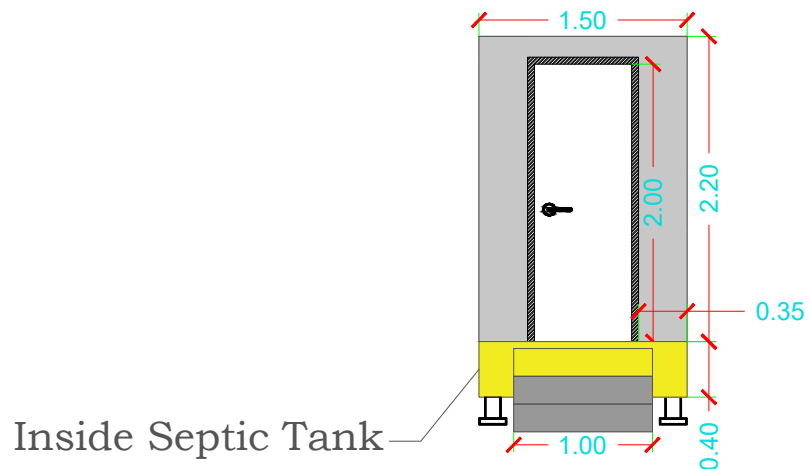
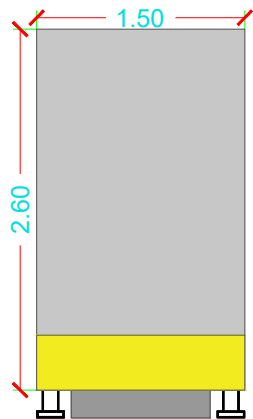


Scale:

Unit: Meter

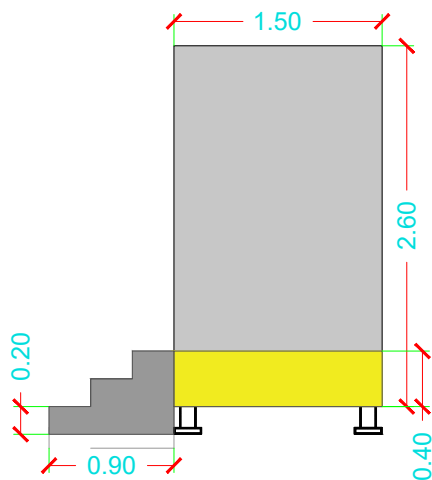
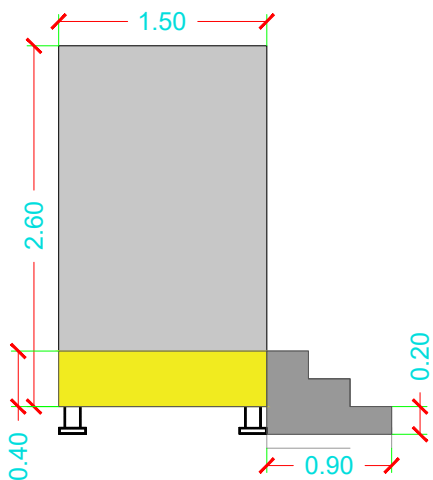
Date: 15-01-2023

Front & Rear Elevation



Inside Septic Tank

Side Elevation



Camp-2
Mobile latrine

Legend

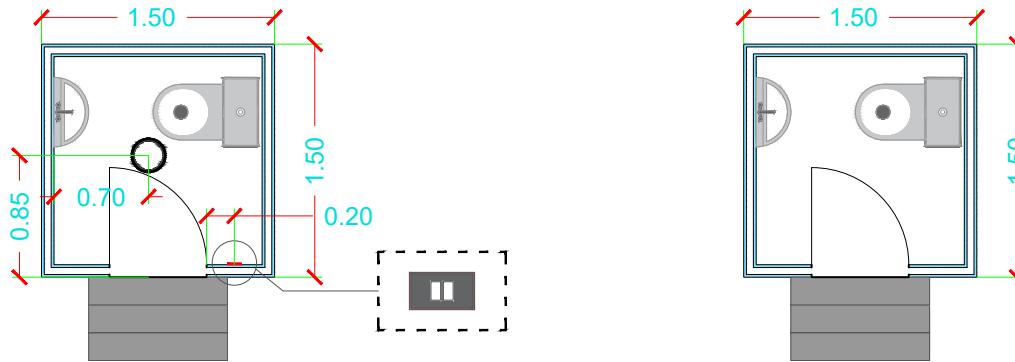


Scale:

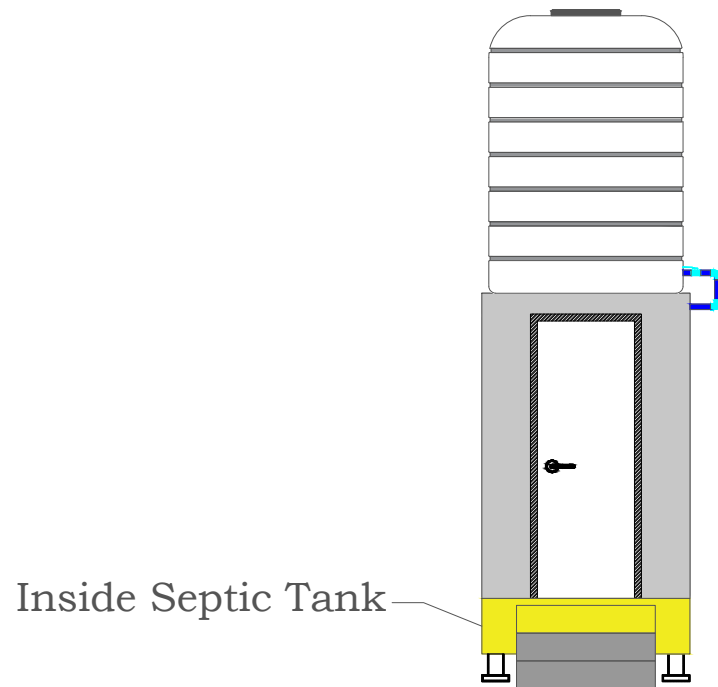
Unit: Meter

Date: 15-01-2023

Inside Electrical Layout



Sanitation & Water Layout



Camp-2
Mobile Latrine

Legend

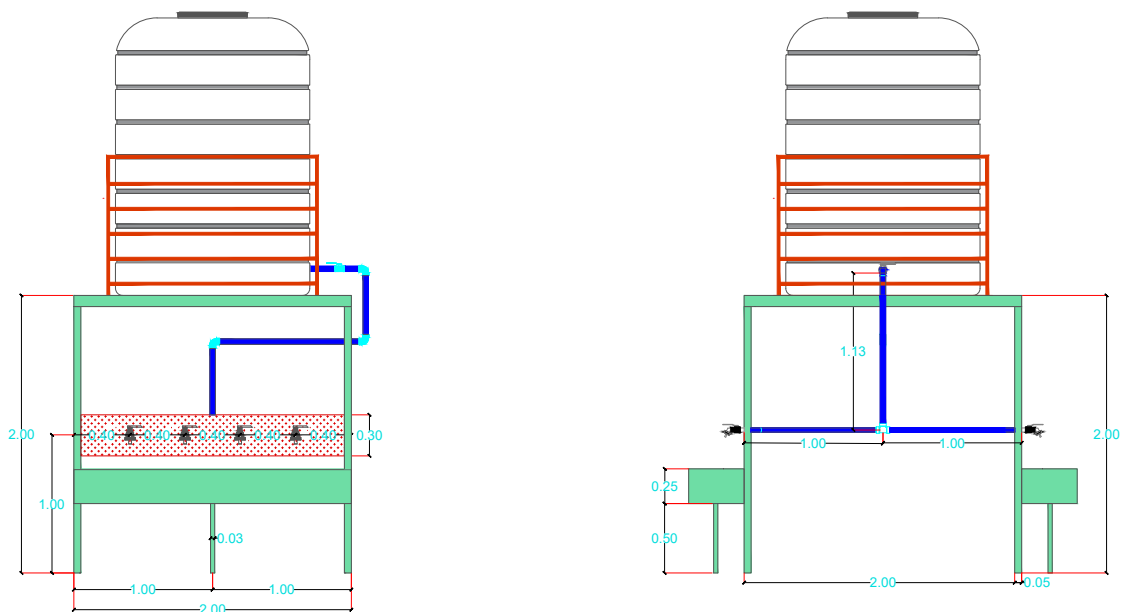


Scale:

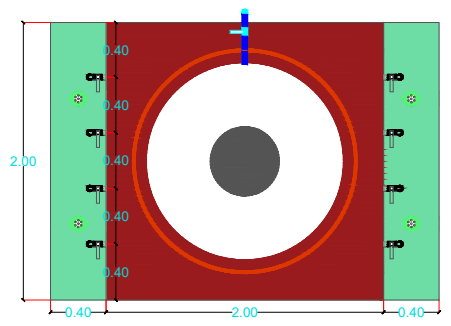
Unit: Meter

Date: 15-01-2023

Side Elevation



Top Elevation



Camp-2
Water Point

Legend

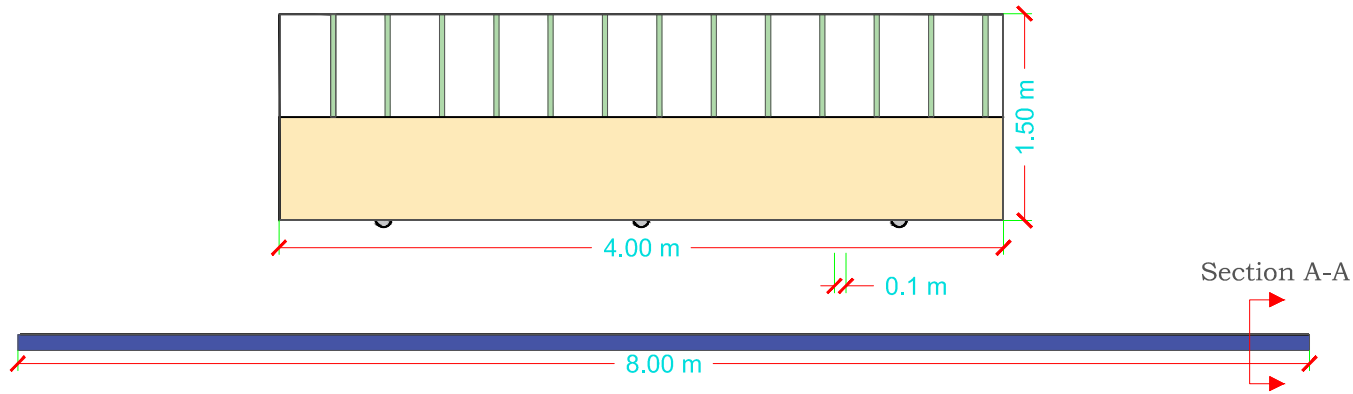


Scale:

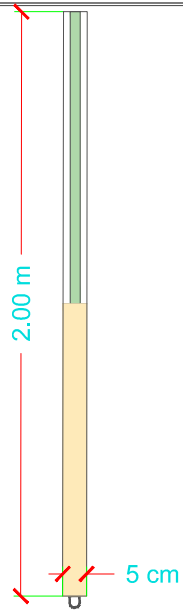
Unit: Meter

Date: 15-01-2023

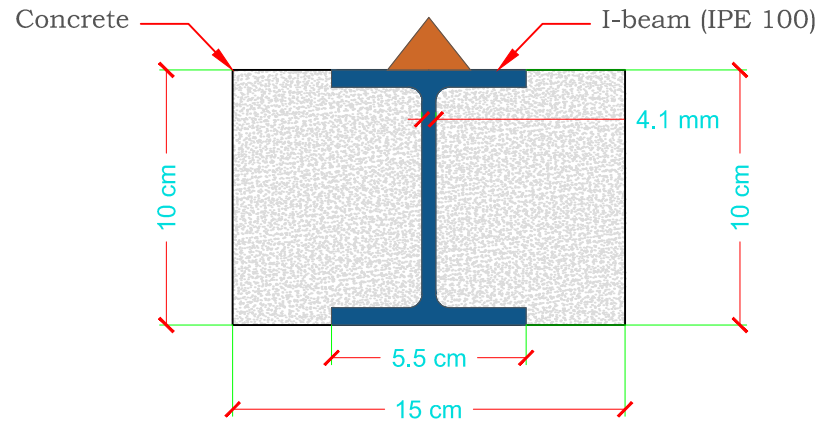
Camp-2
Gate



Side Elevation



Section A-A

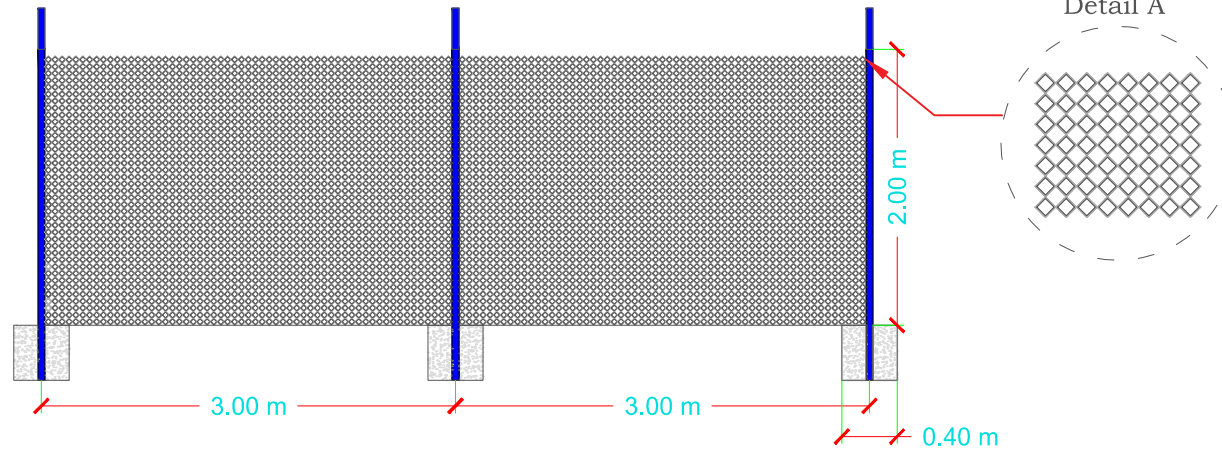


Scale:

Unit: Meter

Date: 15-01-2023

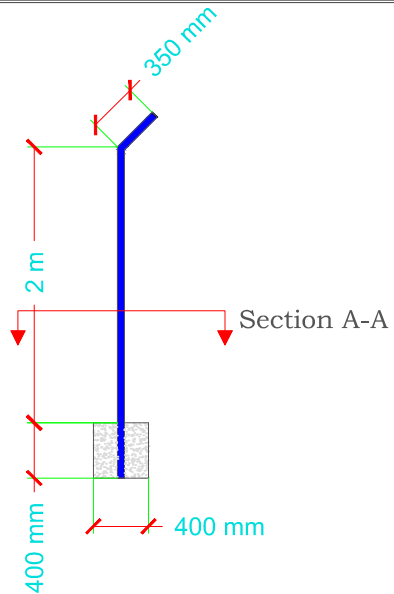
Front Elevation



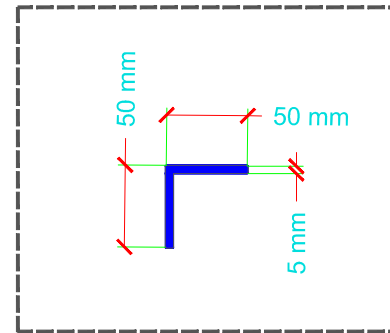
Fence

Legend

Side Elevation



Section A-A



Scale:

Unit: Meter

Date: 15-01-2023

Camp-1 Overall Layout

Total Fence Length
280 m.l

Camp 01 Layout

LEGEND	
	Caravan
	Male Toilet
	Female Toilet
	Existing Fence
	Proposed Fence
	Water Point
	Storage Area
	Septic Tank
	Generator
	Floodlight



Scale: Unit: Meter

Date: 15-01-2023

Camp-2 Overall Layout

Total Fence Length
100 m.1

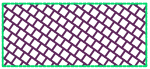






Scale:

Unit: Meter

Date: 15-01-2023

Camp 02 Layout

LEGEND	
	Caravan
	Male Toilet
	Female Toilet
	Proposed Fence
	Water Point
	Floodlight

